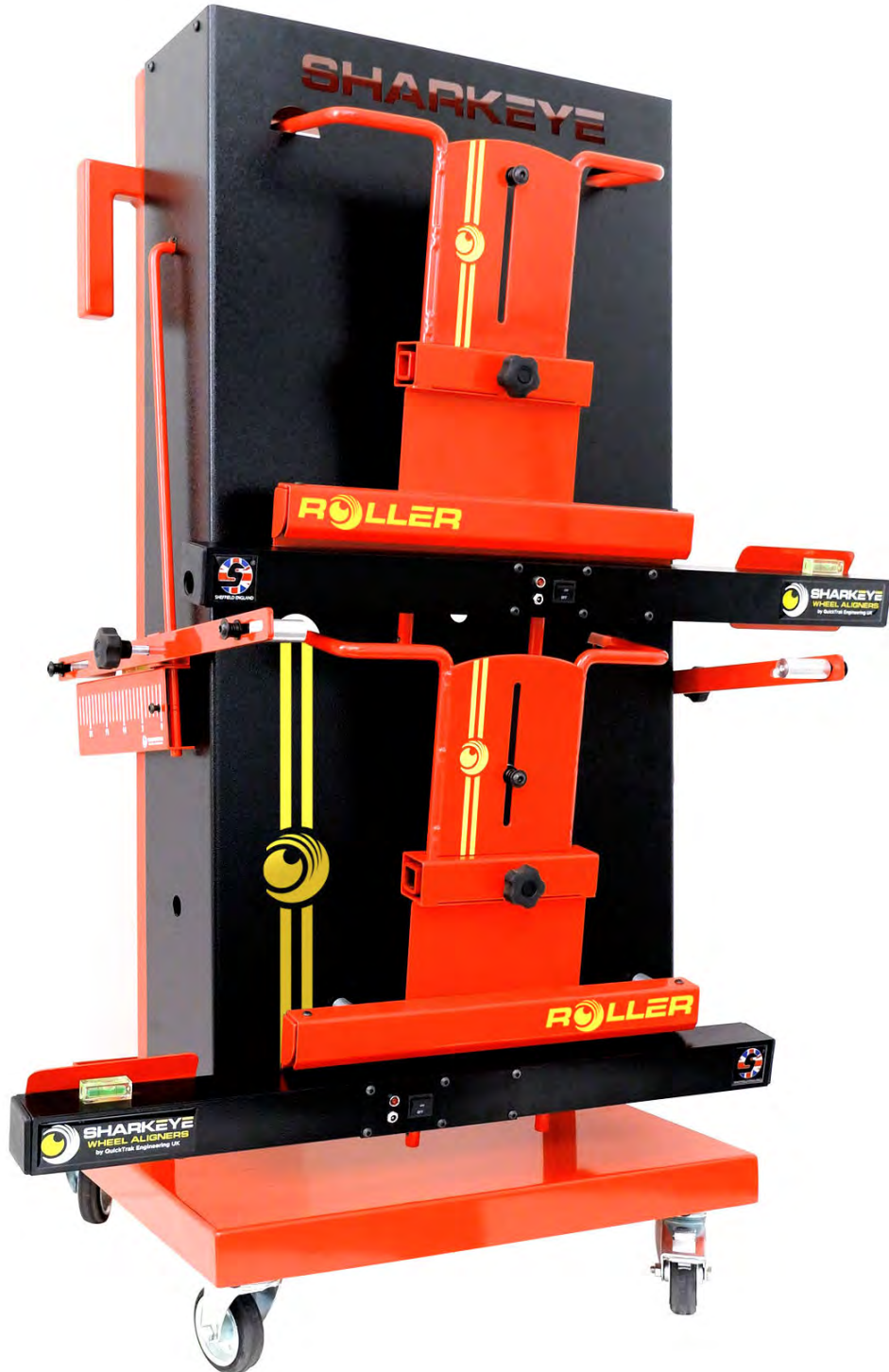




R04WLA
Car 4 Wheel Laser
Alignment Gauges



Made in
Sheffield, England





R04WLA Car 4 Wheel Laser Alignment Gauges

SharkEye ROLLER is a versatile mobile car 4 wheel laser aligner for professional garages. This sturdy mobile trolley allows for practical storage of aligners and accessories with the added bonus of being able to 'roll' it into, and out of, any corner of your workshop.

Like all SharkEye products, it's quick, it's simple to use, it's well priced and it's built to last.

Model Number: ROLLER R04WLA

Comes with:

- 2 Laser Wheel Alignment Gauges
- 1 x Calibration Rig for self-calibration
- 6 x 40mm Rim Button Extensions
- 1 x Heavy Duty Trolley Mounted Cabinet
- 2 x Rear Flags
- 1 x Integrated Charger
- 3 Year Limited Warranty

Includes Standard Accessory Pack No 5:

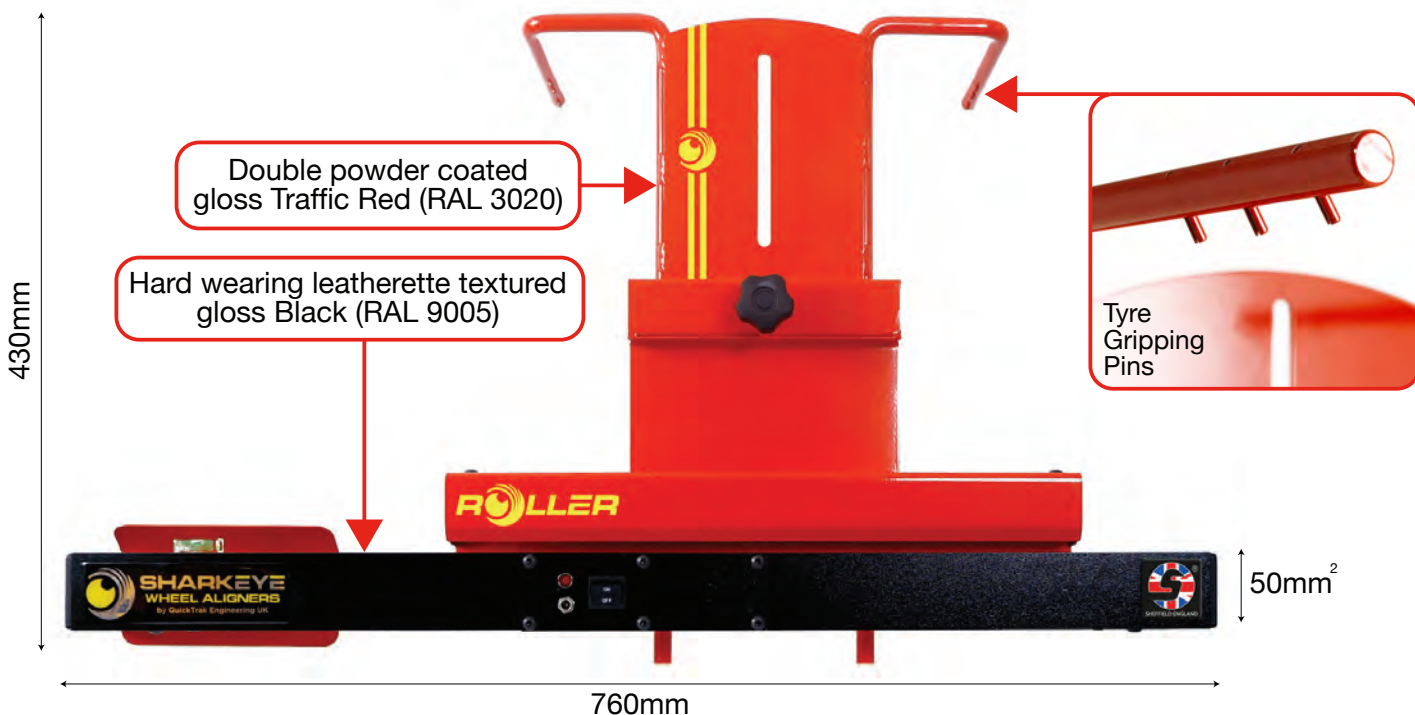
- 2 x Premium Heavy Duty Turnplates (4mm thickness)
- 1 x Premium Steering Wheel Clamp
- 1 x Brake Pedal Depressor Tool
- 1 x Steering Wheel Levelling Tool

Set-up and installation:

- User manual for step-by-step guide
- Tutorial Video (www.sharkeyewheelaligners.com)

PRODUCT SPECIFICATIONS

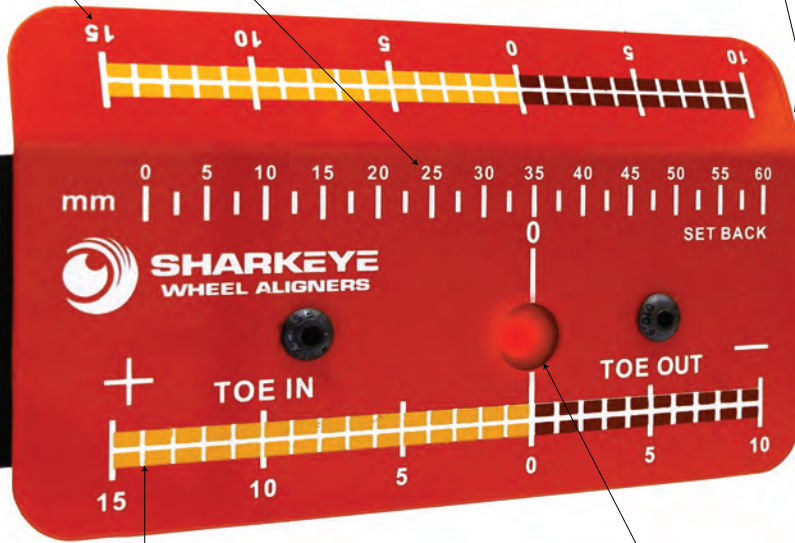
2 x Laser Wheel Alignment Gauges



2 x Toe Scale

Precision screen printed measurements in degrees and millimeters

25 Degree angle allows for easy visibility



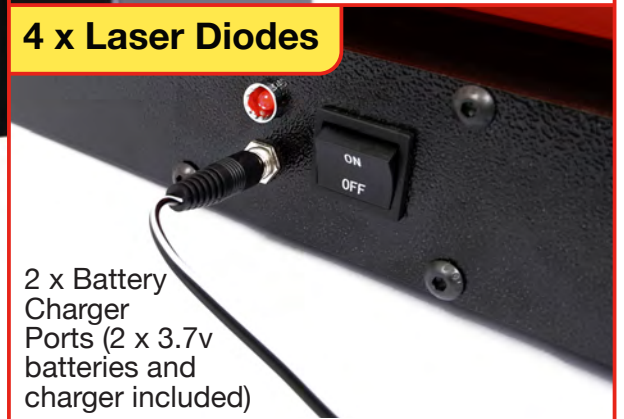
Scratch resistant screen printed graphics

Quality class 2 precision German made laserdiode (55000 hr laser life)

2 x Fixed Spirit Levels

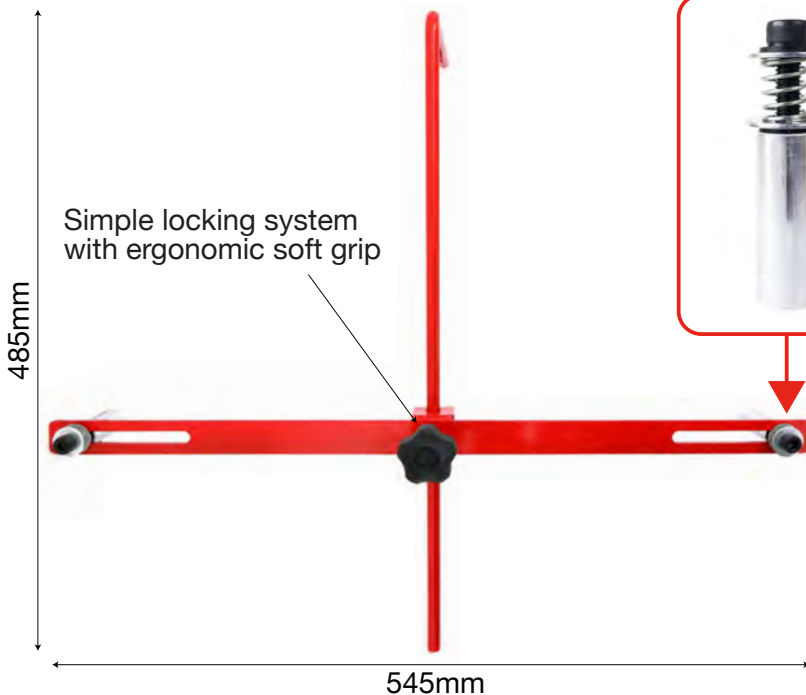
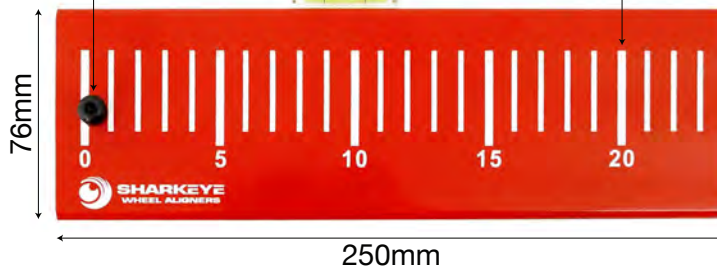


4 x Laser Diodes



2 x Rear Flag Assembly

Rectangular Spirit Levels included
Alum Screws included
Screen printed measurements



8 x Precision milled spring loaded Rim Buttons

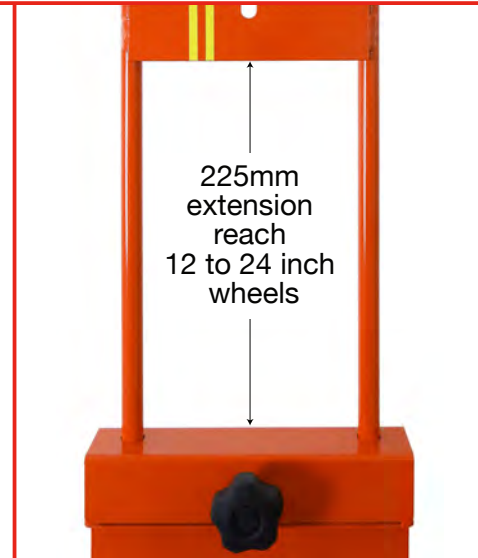
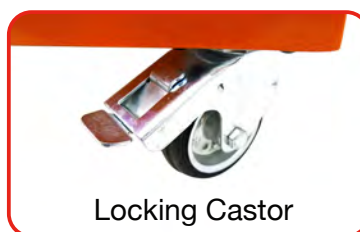
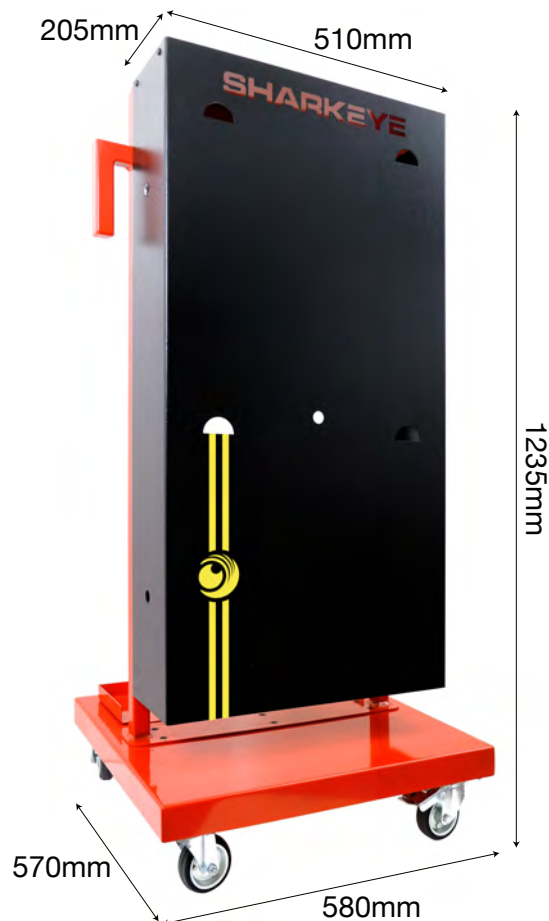


Precision Rim Button Extension attachment point (sold separately)



6 x Rim Button Extensions (included)

**1 x Trolley Mounted Cabinet
1 x Twin Charger**



Parcel/Weight: 54kg

