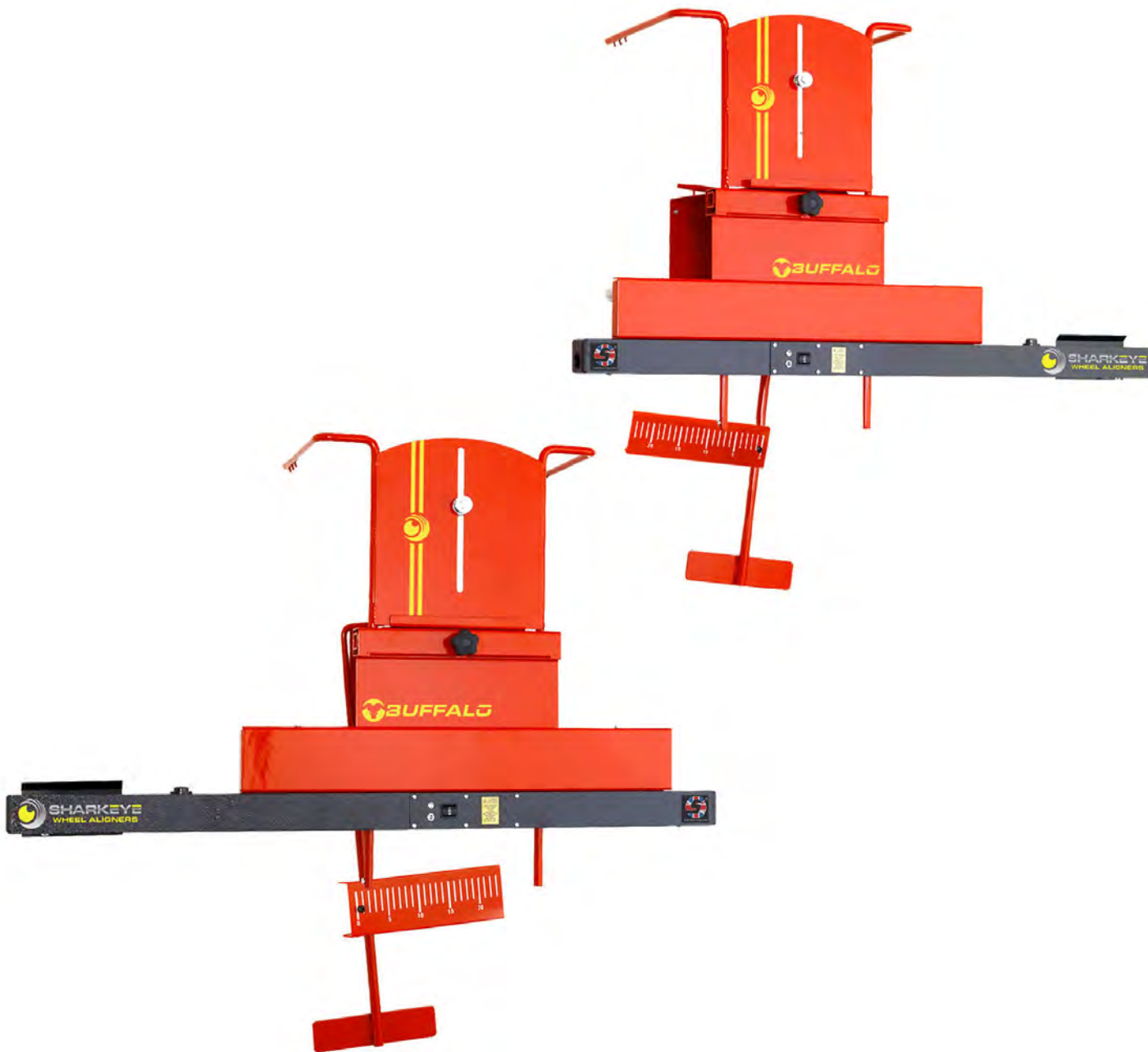




**HGSSLA
Truck SINGLE STEER Laser
Wheel Alignment Gauges**



Made in
Sheffield, England





HGSSLA Truck SINGLE STEER Laser Wheel Alignment Gauges

If you have a fleet of single steer trucks or buses; these are the gauges for you. Keenly priced, superior build quality and easy to use. What's not to like.

But best of all, these gauges will stop you wasting so much money. So much money in fact it's staggeringly frightening. Typical proven savings: 3-5% fuel and 10-20% tyre wear. That's real food for thought.

Like all QuickTrak laser aligners its simple but effective design allows accurate alignment in practically any environment. Minimal moving parts, no wires, pin sharp laser images and rechargeable batteries all add up to one seriously versatile Truck Wheel Aligner.

Comes with:

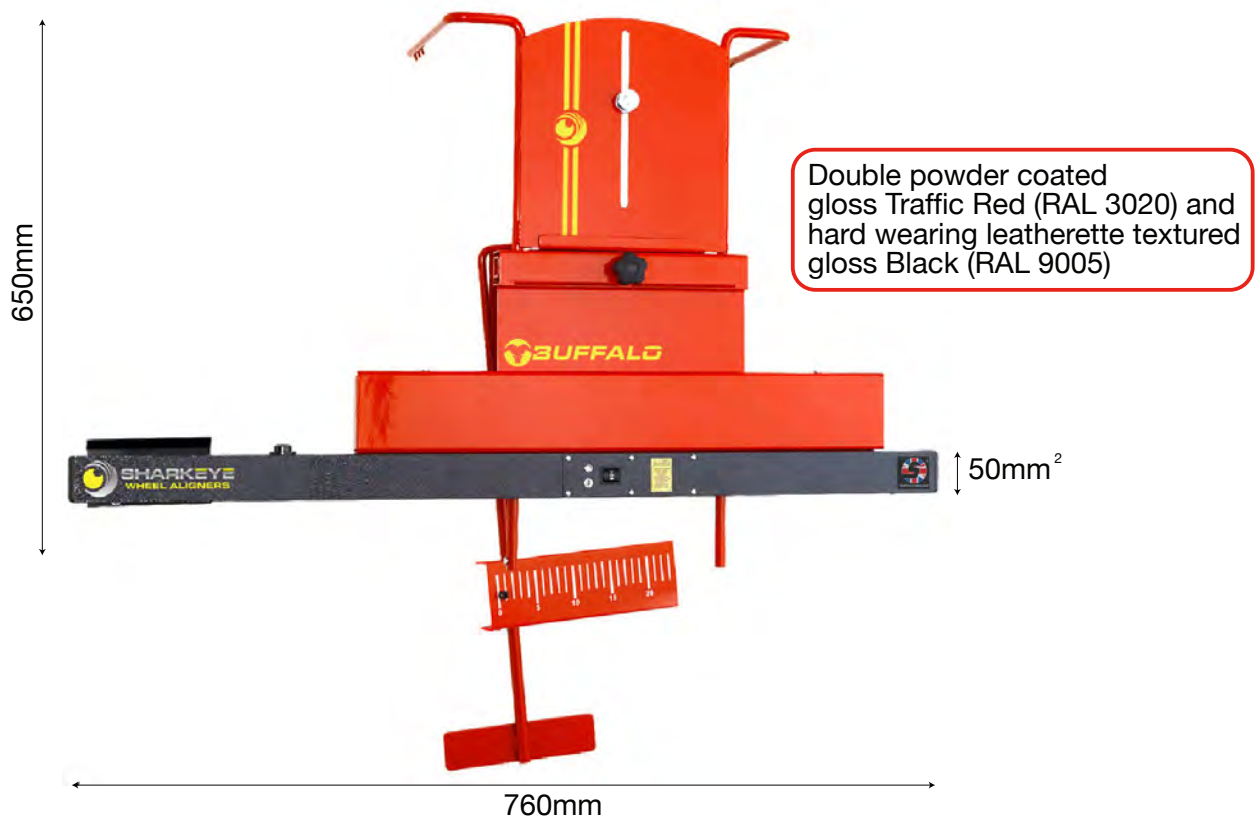
- 2 x Wheel Alignment Gauges
- 2 x Wall Mounted Brackets
- 2 x Heavy Duty Dished Turnplates
- 1 x Calibration Rig (for self-calibration)
- 6 x 40mm Rim Button Extensions
- 2 x Wall Mounted Brackets
- 3 Year Limited Warranty

Set-up and installation:

- User manual for step-by-step guide
- Tutorial Video (www.sharkeywheelaligners.com)
- Unlimited remote training

PRODUCT SPECIFICATIONS

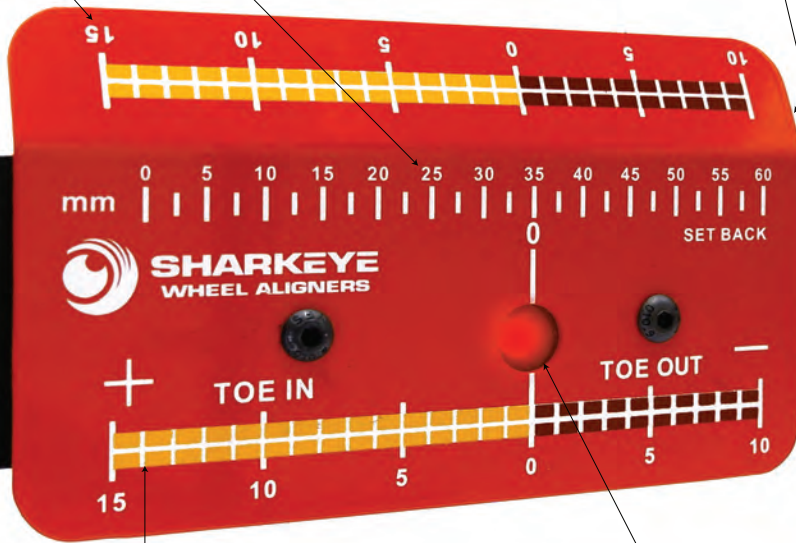
2 x Laser Wheel Alignment Gauges



2 x Toe Scales

Precision screen printed measurements in degrees and millimeters

25 Degree angle allows for easy visibility



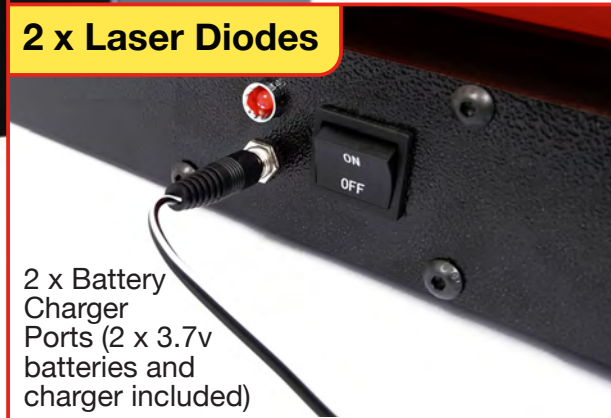
Scratch resistant screen printed graphics

Quality class 2 precision German made laserdiode (55000 hr laser life)

2 x Fixed Spirit Levels



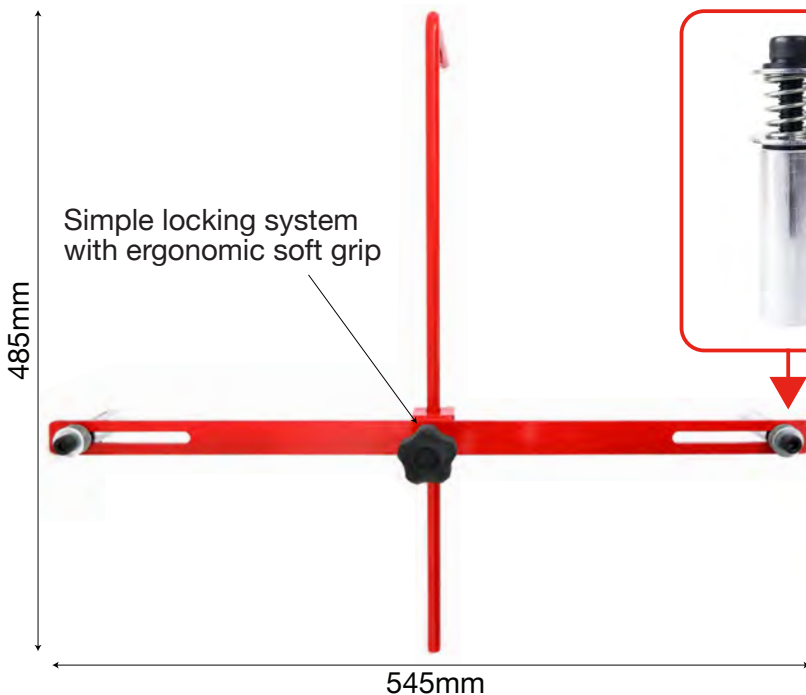
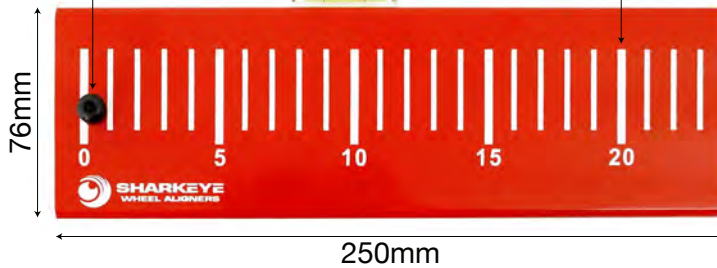
2 x Laser Diodes



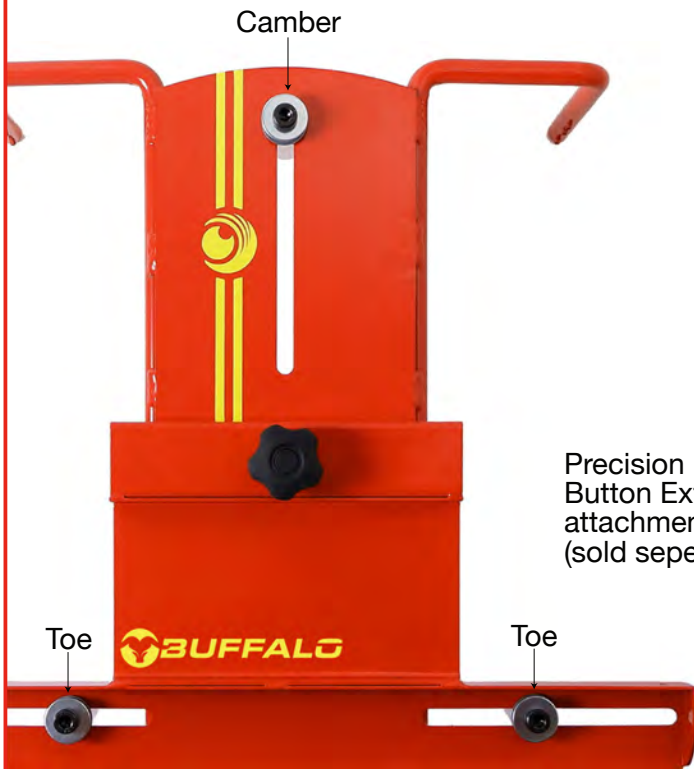
2 x Battery Charger Ports (2 x 3.7v batteries and charger included)

2 x Rear Flag Assembly

Rectangular Spirit Levels included
Alum Screws included
Screen printed measurements

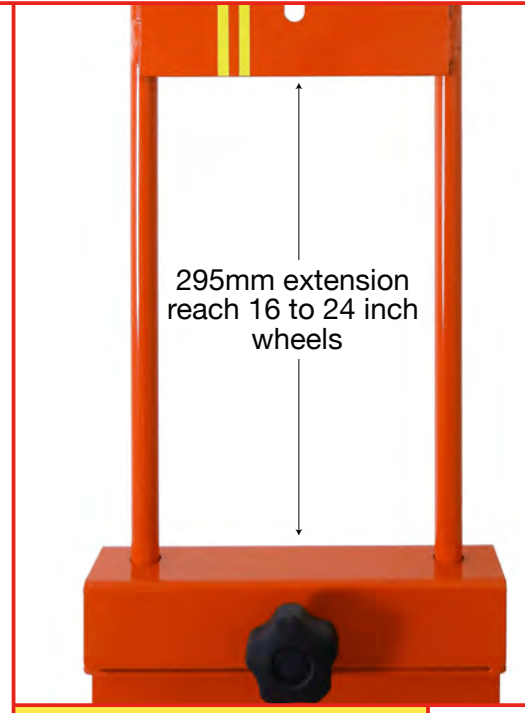
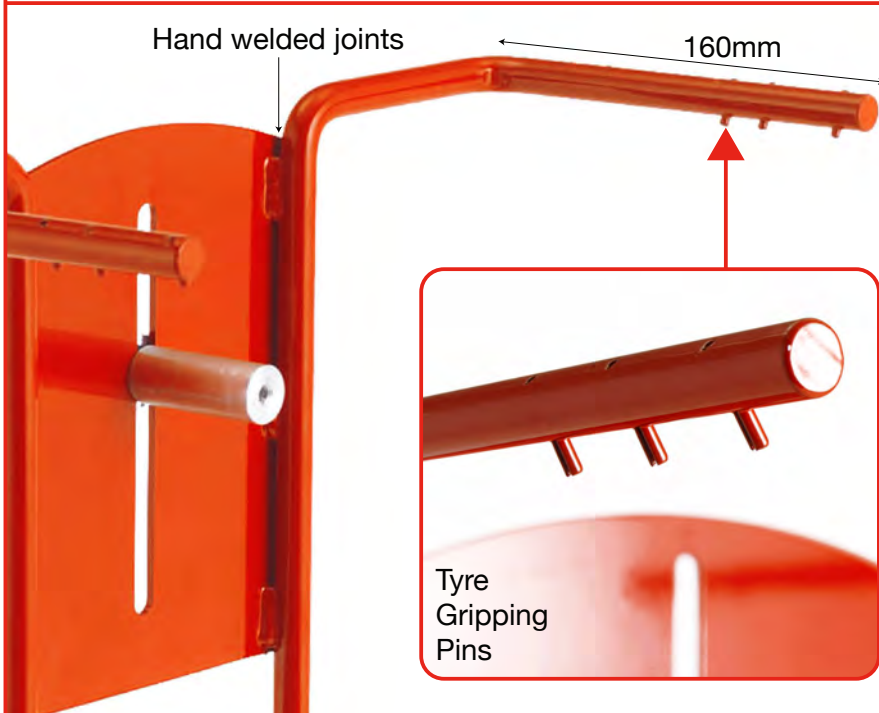


6 x Precision milled spring loaded Rim Buttons

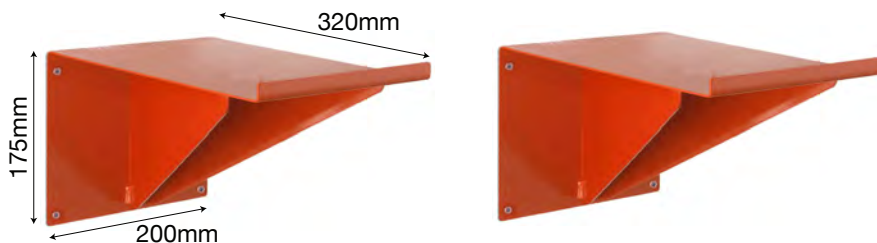


Precision Rim Button Extension attachment point (sold separately)

6 x 40mm Rim Button Extensions (included)



2 x Space Saving Wall Brackets



Parcel/Weight: 37.1kg

